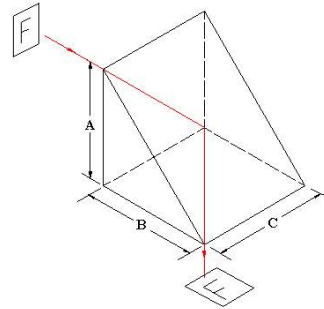


RAP2-BK7 Common Standard Right Angle Prisms

Material: BK7 grade A optical glass
Dimension: $\pm 0.2\text{mm}$
Flatness: $\lambda/2 @ 632.8\text{mm}$
Surface Quality: 60/40 scratch and dig
Angle tolerance: ± 3 arc minutes
Pyramid Error: less than 10 arc minutes
Bevel: $0.2\sim 0.5\text{mm} \times 45^\circ$
Coatings: without coating

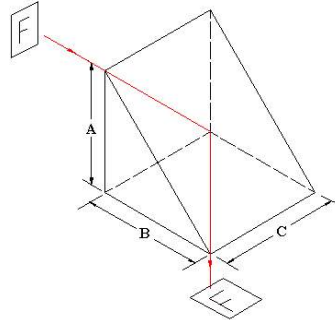


Catalog No.	Dimension (mm)
RAP2-BK7-001	A=B=C=1.0
RAP2-BK7-002	A=B=C=2.0
RAP2-BK7-005	A=B=C=5.0
RAP2-BK7-006	A=B=C=6.3
RAP2-BK7-010	A=B=C=10.0
RAP2-BK7-012	A=B=C=12.5
RAP2-BK7-015	A=B=C=15.0
RAP2-BK7-020	A=B=C=20.0
RAP2-BK7-025	A=B=C=25.0
RAP2-BK7-030	A=B=C=30.0
RAP2-BK7-040	A=B=C=40.0
RAP2-BK7-050	A=B=C=50.0

- Note:**
- 1: Catalogue prisms are supplied without coating
 - 2: We can coat according to customer's requirements
 - 3: Custom and OEM requirements are always welcome

RAP2-Fused Silica Common Standard Right Angle Prisms

Material: UV grade fused silica
Dimension: +0.0/-0.2mm
Flatness: $\lambda/2$ @632.8mm
Surface Quality: 60/40 scratch and dig
Angle tolerance: ± 3 arc minutes
Pyramid Error: less than 10 arc minutes
Bevel: 0.2~0.5mmX45°
Coatings: without coating

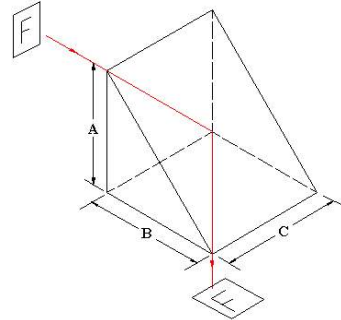


Catalog No.	Dimension (mm)
RAP2-FS-005	A=B=C=5.0
RAP2-FS-006	A=B=C=6.3
RAP2-FS-010	A=B=C=10.0
RAP2-FS-012	A=B=C=12.5
RAP2-FS-015	A=B=C=15.0
RAP2-FS-020	A=B=C=20.0
RAP2-FS-025	A=B=C=25.0

- Note:**
- 1: Catalogue prisms are supplied without coating
 - 2: We can coat according to customer's requirements
 - 3: Custom and OEM requirements are always welcome

RAP4-BK7 High Standard Right Angle Prisms

Material: BK7 grade A optical glass
Dimension: $\pm 0.1\text{mm}$
Flatness: $\lambda/4 @ 632.8\text{nm}$
Surface Quality: 40/20 scratch and dig
Angle tolerance: ± 30 arc seconds
Pyramid Error: less than 10 arc minutes
Bevel: $0.2\sim 0.5\text{mm} \times 45^\circ$
Coatings: without coating

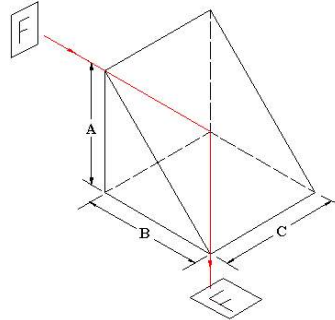


Catalog No.	Dimension (mm)
RAP4-BK7-001	A=B=C=1.0
RAP4-BK7-002	A=B=C=2.0
RAP4-BK7-005	A=B=C=5.0
RAP4-BK7-006	A=B=C=6.3
RAP4-BK7-010	A=B=C=10.0
RAP4-BK7-012	A=B=C=12.5
RAP4-BK7-015	A=B=C=15.0
RAP4-BK7-020	A=B=C=20.0
RAP4-BK7-025	A=B=C=25.0
RAP4-BK7-030	A=B=C=30.0
RAP4-BK7-040	A=B=C=40.0
RAP4-BK7-050	A=B=C=50.0

- Note:**
- 1: Catalogue prisms are supplied without coating
 - 2: We can coat according to customer's requirements
 - 3: Custom and OEM requirements are always welcome

RAP4-Fused Silica High Standard Right Angle Prisms

Material: UV grade fused silica
Dimension: $\pm 0.1\text{mm}$
Flatness: $\lambda/4$ @632.8mm
Surface Quality: 40/20 scratch and dig
Angle tolerance: ± 30 arc seconds
Pyramid Error: less than 5 arc minutes
Bevel: $0.2\sim 0.5\text{mm} \times 45^\circ$
Coatings: without coating

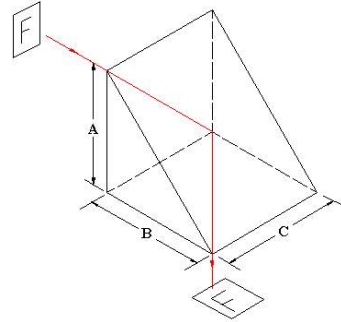


Catalog No.	Dimension (mm)
RAP4-FS-005	A=B=C=5.0
RAP4-FS-006	A=B=C=6.3
RAP4-FS-010	A=B=C=10.0
RAP4-FS-012	A=B=C=12.5
RAP4-FS-015	A=B=C=15.0
RAP4-FS-020	A=B=C=20.0
RAP4-FS-025	A=B=C=25.0

- Note:**
- 1: Catalogue prisms are supplied without coating
 - 2: We can coat according to customer's requirements
 - 3: Custom and OEM requirements are always welcome

RAP10-BK7 Laser Grade Right Angle Prisms

Material: BK7 grade A optical glass
Dimension: $\pm 0.1\text{mm}$
Flatness: $\lambda/10$ @ 632.8nm
Surface Quality: 20/10 scratch and dig
Angle tolerance: ± 30 arc seconds
Pyramid Error: less than 5 arc minutes
Bevel: $< 0.25\text{mm} \times 45^\circ$
Coatings: without coating

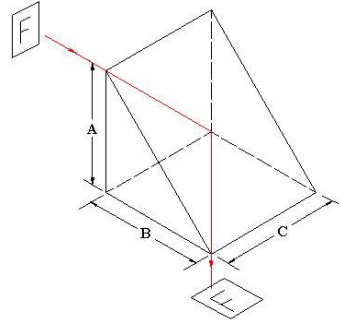


Catalog No.	Dimension (mm)
RAP10-BK7-005	A=B=C=5.0
RAP10-BK7-010	A=B=C=10.0
RAP10-BK7-012	A=B=C=12.5
RAP10-BK7-015	A=B=C=15.0
RAP10-BK7-020	A=B=C=20.0
RAP10-BK7-025	A=B=C=25.0

- Note: 1:** Catalogue prisms are supplied without coating
2: We can coat according to customer's requirements
3: Custom and OEM requirements are always welcome

RAP10-Fused Silica Laser Grade Right Angle Prisms

Material: UV grade fused silica
Dimension: $\pm 0.1\text{mm}$
Flatness: $\lambda/10$ @ 632.8nm
Surface Quality: 20/10 scratch and dig
Angle tolerance: ± 30 arc seconds
Pyramid Error: less than 5 arc minutes
Bevel: $< 0.25\text{mm} \times 45^\circ$
Coatings: without coating

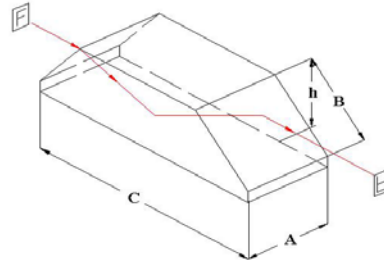


Catalog No.	Dimension (mm)
RAP10-FS-005	A=B=C=5.0
RAP10-FS-010	A=B=C=10.0
RAP10-FS-012	A=B=C=12.5
RAP10-FS-015	A=B=C=15.0
RAP10-FS-020	A=B=C=20.0
RAP10-FS-025	A=B=C=25.0

- Note: 1:** Catalogue prisms are supplied without coating
2: We can coat according to customer's requirements
3: Custom and OEM requirements are always welcome

DP-BK7 Dove Prisms

Material: BK7 grade A optical glass
Dimension (A,C,h): +0.0/-0.2mm
Flatness: $\lambda/2$ at 632.8nm
Surface Quality: 60/40 scratch and dig
Angle tolerance: ± 3 arc minutes
Bevel: $< 0.25\text{mm} \times 45^\circ$
Coatings: without coating

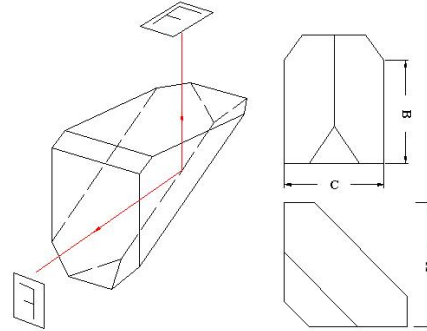


Catalog No.	A (mm)	B (mm)	C (mm)	h (mm)
DP-BK7-005	5.0	7.07	21.1	5.0
DP-BK7-010	10.0	14.14	42.3	10.0
DP-BK7-015	15.0	21.21	63.4	15.0
DP-BK7-020	20.0	28.28	80.0	20.0

- Note: 1:** Catalogue prisms are supplied without coating
2: We can coat according to customer's requirements
3: Custom and OEM requirements are always welcome

RP-BK7 Roof Prisms

Material: BK7 grade A optical glass
Dimension: +0.0/-0.2mm
Roof Angle: ± 3 sec.
Other Angles: ± 3 min.
Flatness: $\lambda/2$ at 632.8nm
Surface Quality: 60-40 scratch and dig
Bevel: $<0.25\text{mm} \times 45^\circ$
Coatings: without coating

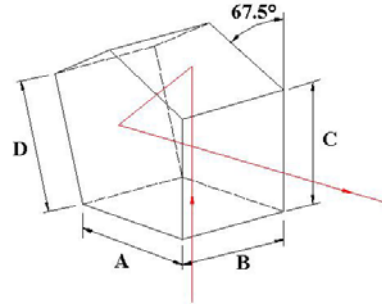


Catalog No.	Dimension (mm)		
RP-BK7-027	A=27.4	B=20.0	C=20.0
RP-BK7-041	A=41.1	B=30.0	C=30.0

- Note: 1:** Catalogue prisms are supplied without coating
2: We can coat according to customer's requirements
3: Custom and OEM requirements are always welcome

PP-BK7 Penta Prisms

Material: BK7 grade A optical glass
Dimension: +0.0/-0.2mm
Deviation: see table
Flatness: $\lambda/2$ at 632.8nm
Surface Quality: 60-40 scratch and dig
Bevel: $<0.25\text{mm} \times 45^\circ$
Coatings: Reflecting surfaces are aluminized,
with black Paint for protection. Entrance
and exit surface are Coated with $\lambda/4$ MgF2
broadband AR.

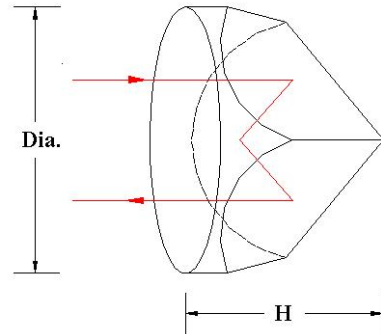


Catalog No.	A=B=C (mm)	D (mm)	Deviation
PP-BK7-005a	5.0	5.45	$90^\circ \pm 3$ arc minutes
PP-BK7-005	5.0	5.45	$90^\circ \pm 30$ arc second
PP-BK7-010	10.0	10.82	$90^\circ \pm 30$ arc second
PP-BK7-020	20.0	21.65	$90^\circ \pm 30$ arc second
PP-BK7-030	30.0	32.47	$90^\circ \pm 30$ arc second
PP-BK7-040	40.0	43.30	$90^\circ \pm 30$ arc second

Note: 1: Catalogue prisms are supplied without coating
2: We can coat according to customer's requirements
3: Custom and OEM requirements are always welcome

RRP-BK7 Corner Cube Retroreflector

Material:	BK7 grade A optical glass
Dimension:	+0.0/-0.2mm
Deviation:	see table
Flatness:	$\lambda/4$ @ 632.8nm on front surface $\lambda/10$ @ 632.8nm on other surfaces
Wavefront distortion:	$<\lambda/4$ at 632.8nm
Surface Quality:	60-40 scratch and dig
Bevel:	$<0.25\text{mm}\times 45^\circ$
Coatings:	N/A



Catalog No.	Deviation (arc second)	H (mm)	Diameter (mm)
RRP-BK7-011	$180^\circ \pm 3$ sec.	11.3	15.0
RRP-BK7-019	$180^\circ \pm 3$ sec.	19.0	25.4
RRP-BK7-028	$180^\circ \pm 3$ sec.	28.5	38.0
RRP-BK7-037	$180^\circ \pm 3$ sec.	37.5	50.8
RRP-BK7-062	$180^\circ \pm 5$ sec.	47.9	62.2 (with tap)
RRP-BK7-065	$180^\circ \pm 10$ sec.	39.12	65
RRP-BK7-065-C (coated with copper)	$180^\circ \pm 10$ sec.	39.12	65
RRP-BK7-072	$180^\circ \pm 10$ sec.	52.35	72.5

- Note: 1: Catalogue prisms are supplied without coating**
2: We can coat according to customer's requirements
3: Custom and OEM requirements are always welcome